



**Moorwood Vulcan**

Viscount

# M-Line Series

**Medium Duty Electric Equipment**

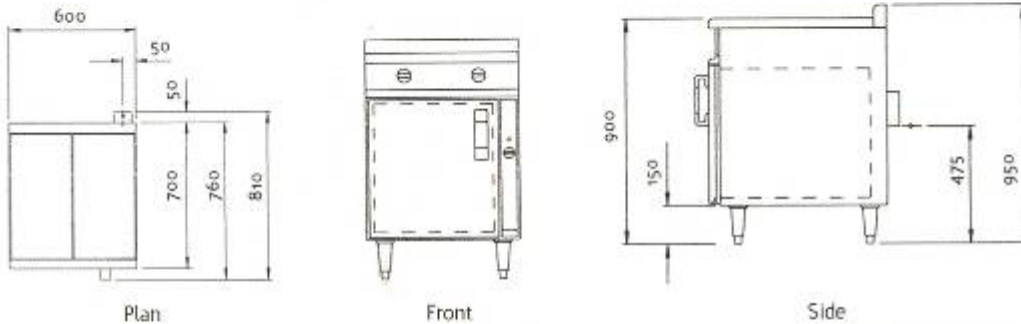
**Electric Ranges & Boiling Tables**



**Quite Simply - The Right Choice - Every Time**

### M-Line Series - 600mm Electric Range - 2 Sold Hotplates

#### Dimensions



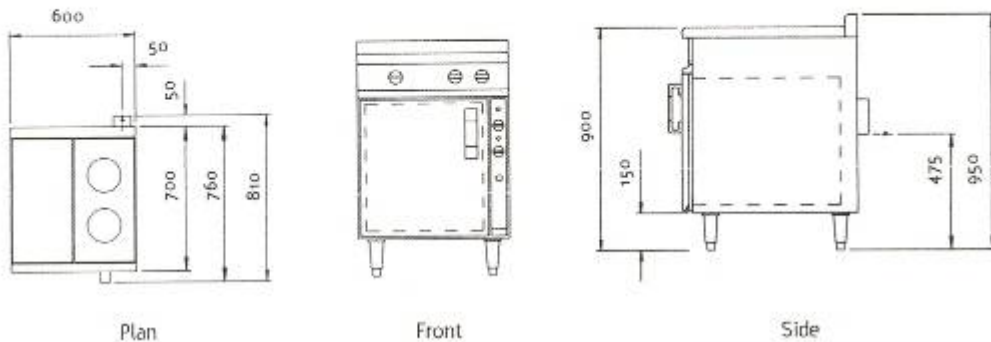
#### Specifications

Model No.	Electric Supply	Oven Capacity	Hotplate Style	Oven Grid & Size W x D mm	Net Weight kg	Internal Dimensions H x W x D mm	Overall Dimensions H x W x D mm
MLE60R-F-S	10.0 kW 400v, 50Hz 3 Phase or 230v, 50Hz 1 Phase	0.09m <sup>3</sup>	2 Rectangular Hotplates	384 x 503	98	480 x 405 x 590	950 x 600 x 810

Accessories: Splashback & Shelf, Mobility Kit - see price list

### M-Line Series - 600mm Electric Range - 1 Sold Hotplate & 2 Radiant Rings

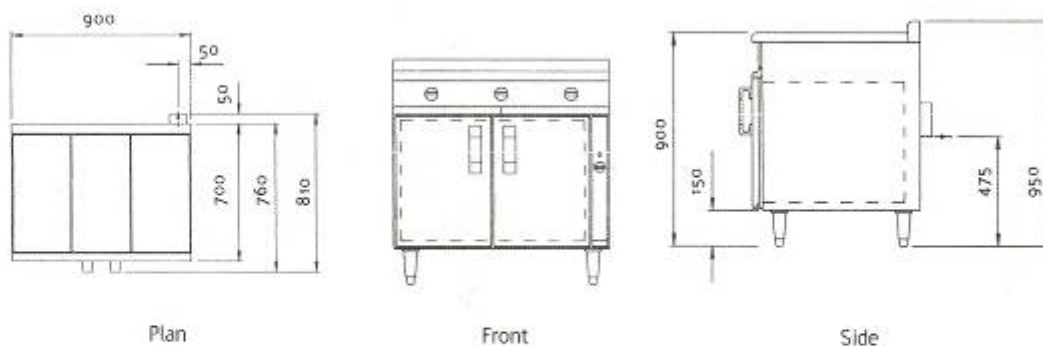
#### Dimensions



#### Specifications

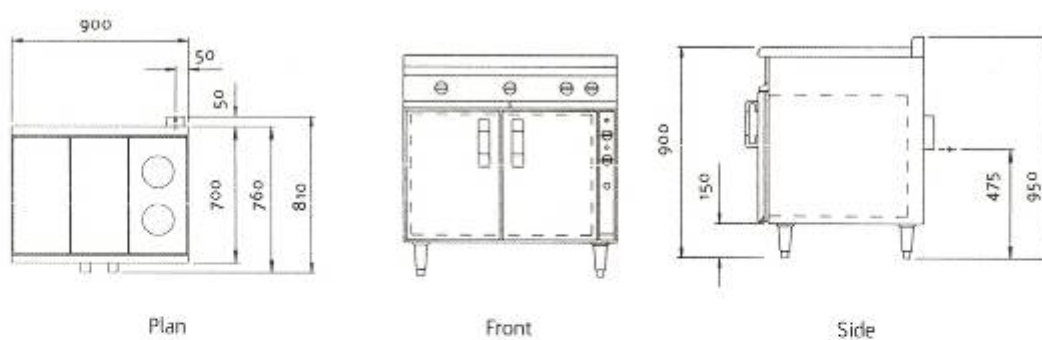
Model No.	Electric Supply	Oven Capacity	Hotplate Style	Oven Grid & Size W x D mm	Net Weight kg	Internal Dimensions H x W x D mm	Overall Dimensions H x W x D mm
MLE60R-F-RS	10.5 kW 400v, 50Hz 3 Phase or 230v, 50Hz 1 Phase	0.09m <sup>3</sup>	1 Rectangular Hotplate 2 Radiant Rings	384 x 503	97	480 x 405 x 590	950 x 600 x 810

Accessories: Splashback & Shelf, Mobility Kit - see price list

**M-Line Series - 900mm Electric Range - 3 Sold Hotplates**
**Dimensions**

**Specifications**

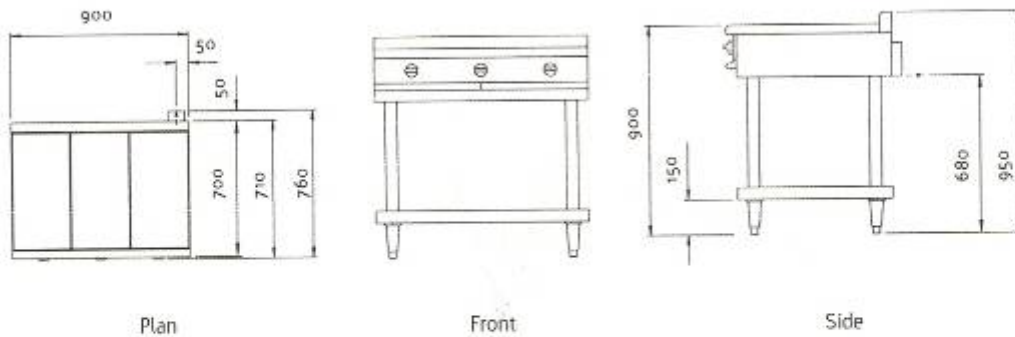
Model No.	Electric Supply	Oven Capacity	Hotplate Style	Oven Grid & Size W x D mm	Net Weight kg	Internal Dimensions H x W x D mm	Overall Dimensions H x W x D mm
MLE90R-F-5	15.0 kW 400v, 50Hz 3 Phase or 230v, 50Hz 1 Phase	0.17m <sup>3</sup>	3 Rectangular Hotplates	2 648 x 503	128	480 x 705 x 590	950 x 900 x 810

Accessories: Splashback & Shelf. Mobility Kit - see price list

**M-Line Series - 900mm Electric Range - 2 Sold Hotplates & 2 Radiant Rings**
**Dimensions**

**Specifications**

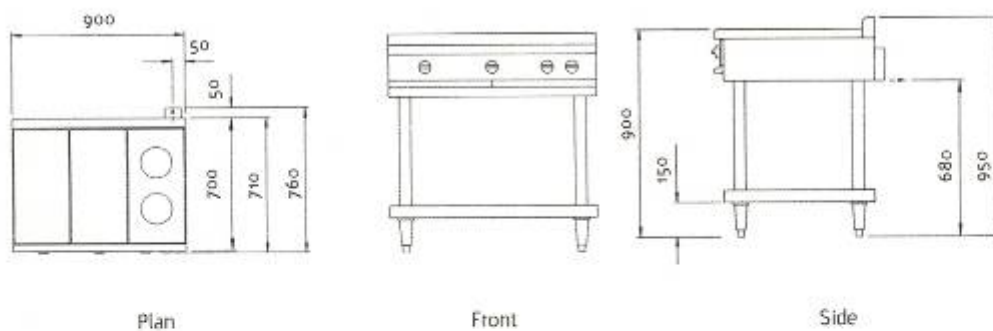
Model No.	Electric Supply	Oven Capacity	Hotplate Style	Oven Grid & Size W x D mm	Net Weight kg	Internal Dimensions H x W x D mm	Overall Dimensions H x W x D mm
MLE90R-F-RS	15.5 kW 400v, 50Hz 3 Phase or 230v, 50Hz 1 Phase	0.17m <sup>3</sup>	2 Rectangular Hotplates 2 Radiant Rings	2 648 x 503	127	480 x 705 x 590	950 x 900 x 810

Accessories: Splashback & Shelf. Mobility Kit - see price list

**M-Line Series - 900mm Electric Boiling Table - 3 Sold Hotplates**
**Dimensions**

**Specifications**

Model No.	Electric Supply	Hotplate Style	Net Weight kg	Overall Dimensions H x W x D mm
MLEgoBT-F-S	9.0 kW 400v, 50Hz 3 Phase or 230v, 50Hz 1 Phase	3 Rectangular Hotplates	54	950 x 900 x 760

Accessories: Mobility Kit - see price list

**M-Line Series - 900mm Electric Boiling Table - 2 Sold Hotplates & 2 Radiant Rings**
**Dimensions**


Model No.	Electric Supply	Hotplate Style	Net Weight kg	Overall Dimensions H x W x D mm
MLEgoBT-F-RS	9.5 kW 400v, 50Hz 3 Phase or 230v, 50Hz 1 Phase	2 Rectangular Hotplates 2 Radiant Rings	53	950 x 900 x 760

Accessories: Mobility Kit - see price list

The stylish M-Line electric ranges and boiling tables combine proven reliability with excellent value for money. They are designed to complement the M-Line series of electric catering equipment which are suitable for use as free-standing units, line suites and island suites. All connections are made at the rear of the appliance and can be incorporated within a services void. They are manufactured to the highest specification from 430 stainless steel to give years of maintenance free service.



### IMPORTANT FEATURES & BENEFITS

#### M-Line Electric Ranges & Boiling Tables

**Models: MLE6oR-F-S, MLE6oR-F-RS, MLEgoR-F-S, MLEgoR-F-RS, MLEgoBT-F-S & MLEgoBT-F-RS**

- Models available with 2 and 3 solid hotplates (MLE6oR-F-S & MLEgoR-F-S)
- Models available with radiant rings and solid hotplates (MLE6oR-F-RS & MLEgoR-F-RS)
- Ovens are supplied with 2 shelves as standard
- Ovens have side opening doors
- MLE6oR-F-S & MLE6oR-F-RS have 0.09<sup>3</sup>m oven
- MLEgoR-F-S & MLEgoR-F-RS have 0.17<sup>3</sup>m oven
- Oven interiors are finished in acid resistant vitreous enamelled cast iron
- Horizontal control fascia panels are finished in black vitreous enamel
- Modular appliance, can be suited with other products in the M-Line series
- Design based on years of experience gained from the manufacture of successful appliance
- Exterior front and side panels are satin finished stainless steel
- MLEgoBT-F-S Boiling table has 3 hotplates
- MLEgoBT-F-RS Boiling table has 2 hotplates and 2 radiant rings
- Easy to use controls

Also available in the M-Line series are ranges, grills, fryers, convection ovens, convection oven ranges, steamers, bratt pans, available in gas and electric.