

Gas Oven Range

Models MVR6P



Standard Features

HOB

- High efficiency open top burners sealed to hob with low turn-down feature
- Flame failure device on all burners
- Individual Heavy duty vitreous enamelled pan supports
- Hinged hob providing easy service access
- Easy to clean fully sealed hob
- Low profile rear splashback

OVEN

- Large capacity full height oven
- Oven with side hinged double doors
- Piezo ignition to oven burner
- Vitreous enamelled oven interior
- 2 shelves, each taking 2x 1/1GN Containers

Options & Accessories

- Extra oven shelves
- Duck roasting rack
- 150mm High Castors
- High splashback with integral shelf suitable for Grill
- Flexible gas hose
- Available in Natural Gas or Propane

Specifications

Moorwood Vulcan medium duty gas oven "Power Burner" range incorporates higher powered configuration of burner.

Moorwood Vulcan offers the ultimate in design and service excellence with this stylish, functional selection of medium duty prime cooking equipment, manufactured to the highest standards.

Powerful burners, precise controls and a versatile choice of accessories are just some of the reasons our gas oven ranges run rings around the competition.

The product is ideal for a hard working kitchen and is designed to provide many years of value-for money service.

Suites with other Moorwood Vulcan products to make a modular cooking centre



ENODIS UK FOOD SERVICE

5E Langley Business Park, Station Road, Langley, Berkshire SL3 8DS
Fax: 01753 485901 Email: info@enodis.com

Group Tel: 0845 370 4888

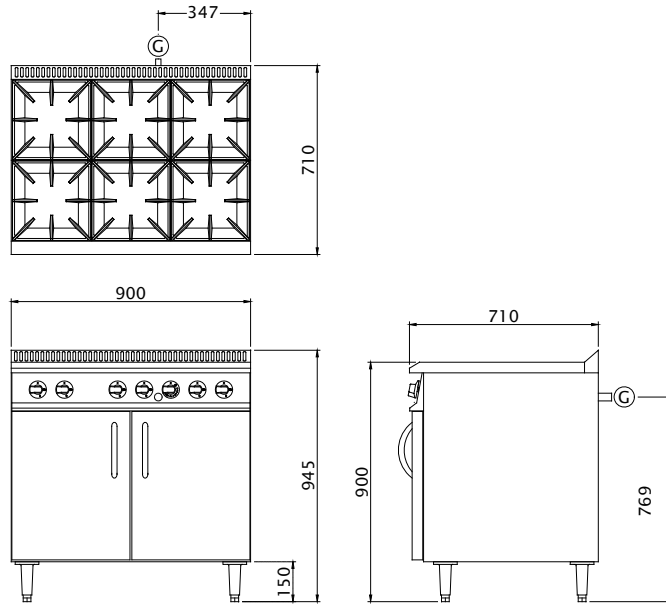
www.enodisuk.com

Datasheet Part No. 933160-01

Revision No. 1
August 2008

Enodis

MVR6P



DIMENSIONS

MODEL NO.	OVERALL SIZE			OVEN SIZE				NET WEIGHT	SHIPPING WEIGHT (APPROX)
	HEIGHT	WIDTH	DEPTH	HEIGHT	WIDTH	DEPTH	VOLUME		
MVR6P	945mm	900mm	710mm	480mm	720mm	608mm	0.21m ³	135kg	146kg

POWER REQUIREMENTS

Model NO.	Gas Consumption per hr. Natural Gas	Gas Consumption per hr. Propane Gas	Gas Connection	Oven kW NG / LP (gross)	Burner kW NG / LP (gross)	Total Burner Output (kW) NG / LP
MVR6P	4.6m ³ /hr	4.13kg/hr	R 3/4"	9.8 / 11.1	2x 5.9 / 6.9 3x 6.9 / 7.9 1x 7.4 / 8.4	49.7 / 57.0

If using a flexible snap on connection hose, a 3/4" diameter is required. Please consult the Technical Manual or CORGI regulations for further details. Please allow adequate clearance for Connection elbow & governor arrangement behind equipment

For further information on MV products and services or advice on which unit suits you best please contact the sales department.

ENODIS UK FOOD SERVICE

5E Langley Business Park, Station Road, Langley, Berkshire SL3 8DS
 Fax: 01753 485901 Email: info@enodis.com

Group Tel: 0845 370 4888

www.enodisuk.com

Datasheet Part No. 933160-01

Revision No. 1

August 2008

