

# Gas General Purpose Ovens

# Gas General Purpose Ovens

Models  MVO1

MVO2



MVO1



MVO2

## Standard Features

- Single or two tier version
- High efficiency ovens
- 2 oven shelves per oven, each taking 2x 1/1GN containers
- Piezo ignition to oven burner

## Options & Accessories

- 150mm high Castors
- Flexible gas hose
- Also available in Natural Gas or Propane

## Specifications

Moorwood Vulcan offers the ultimate in design and service excellence with this stylish, functional selection of medium duty prime cooking equipment, manufactured to the highest standards.

Powerful burners, precise controls and a versatile choice of accessories are just some of the reasons our gas oven ranges run rings around the competition.

The product is ideal for a hard working kitchen and is designed to provide many years of value-for money service.

Suites with other Moorwood Vulcan products to make a modular cooking centre



ENODIS UK FOOD SERVICE

5E Langley Business Park, Station Road, Langley, Berkshire SL3 8DS  
Fax: 01753 485901 Email: info@enodis.com

Group Tel: 0845 370 4888

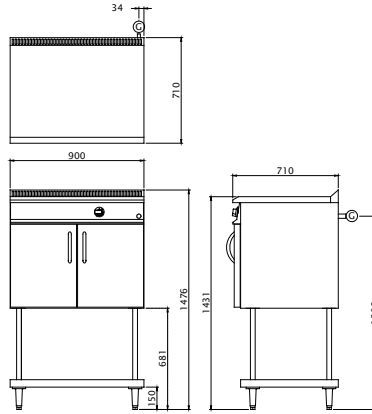
[www.enodisuk.com](http://www.enodisuk.com)

Datasheet Part No. 933152-01

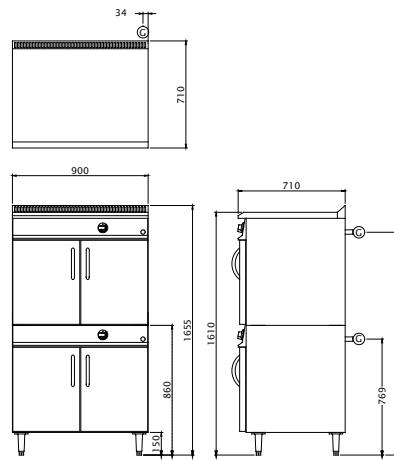
Revision No. 1  
August 2008



## MVO1



## MVO2



### DIMENSIONS

MODEL NO.	OVERALL SIZE			NET WEIGHT	SHIPPING WEIGHT (APPROX)
	HEIGHT	WIDTH	DEPTH		
MVO1	1476mm	900mm	710mm	98kg	109kg
MVO2	1655mm	900mm	710mm	168kg	179kg

### POWER REQUIREMENTS

Model NO.	Gas Consumption per hr. Natural Gas	Gas Consumption per hr. Propane Gas	Gas Connection	Total Output (kW) NG / LP
MVO1	0.902m <sup>3</sup> /hr	0.806kg/hr	R 1/2"	9.8 / 11.2
MVO2	1.8m <sup>3</sup> /hr	1.6kg/hr	R 1/2"	19.6 / 22.4

If using a flexible snap on connection hose, a 3/4" diameter is required. Please consult the Technical Manual or CORGI regulations for further details. Please allow adequate clearance for Connection elbow & governor arrangement behind equipment

For further information on MV products and services or advice on which unit suits you best please contact the sales department.

#### ENODIS UK FOOD SERVICE

5E Langley Business Park, Station Road, Langley, Berkshire SL3 8DS  
Fax: 01753 485901 Email: info@enodis.com

Group Tel: 0845 370 4888

www.enodisuk.com

Datasheet Part No. 933152-01

Revision No. 1

August 2008

